



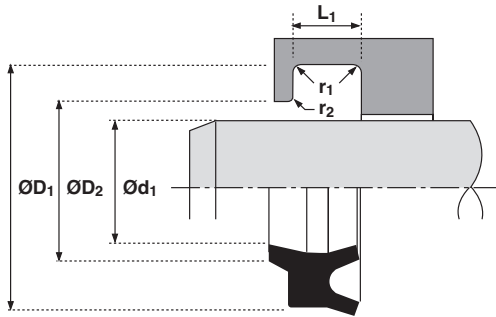
Design

The Hallite 425 H style wiper offers superior wiping and low pressure sealing in one component. When used in conjunction with single lip rod seals, the combination provides effective cylinder sealing.

The Hallite 425 is manufactured in nitrile rubber and is also available in fluoroelastomer material.

Features

- Variety of materials available
- Twin lip design ensures drier sealing system
- Flexibility



Technical details

Operating conditions

Maximum Speed	1.0 m/sec
Maximum Temperature	-30°C +100°C

Inch

3.0 ft/sec
-22°F +212°F

Surface roughness

	µmRa	µmRt	µinCLA	µinRMS
Dynamic Sealing Face Ød ₁	0.1 <> 0.4	4 max	4 <> 16	5 <> 18
Static Sealing Face ØD ₁ ØD ₂	2.5 max	16 max	100 max	111 max
Static Housing Faces L ₁	2.5 max	16 max	100 max	111 max

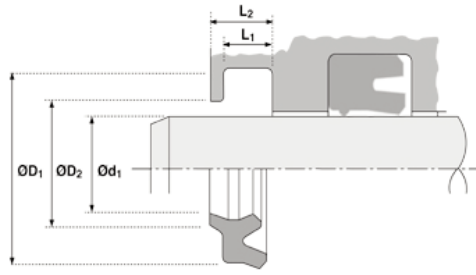
Radii

Max Fillet Rad r ₁ in	0.010
Max Fillet Rad r ₂ in	0.020

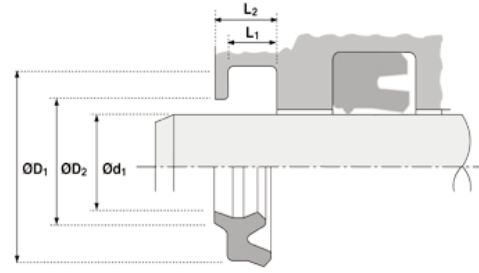
Tolerances

	Ød ₁	ØD ₁	ØD ₂	L ₁
Ød ₁ ≤ 0.937 in	+0 -0.001	+0.002 -0	+0.002 -0	+0.005 -0
Ød ₁ < 3.000 in	+0 -0.001	+0.003 -0	+0.003 -0	+0.005 -0
Ød ₁ ≥ 3.000 in	+0 -0.002	+0.003 -0	+0.003 -0	+0.005 -0





Ød ₁	TOL	ØD ₁	TOL	ØD ₂	TOL	L ₁ +0.005 - 0	L ₂	PART No.
0.500	-0.000 -0.001	0.802	+0.002 -0.000	0.620	+0.002 -0.000	0.203	0.281	6666337
0.625	-0.000 -0.001	0.927	+0.002 -0.000	0.745	+0.002 -0.000	0.203	0.281	6666338
0.750	-0.000 -0.001	1.052	+0.002 -0.000	0.870	+0.002 -0.000	0.203	0.281	6666339
0.875	-0.000 -0.001	1.240	+0.002 -0.000	1.010	+0.002 -0.000	0.218	0.281	6666340
1.000	-0.000 -0.001	1.365	+0.003 -0.000	1.135	+0.002 -0.000	0.218	0.281	6666341
1.125	-0.000 -0.001	1.490	+0.003 -0.000	1.260	+0.002 -0.000	0.218	0.281	6666342
1.250	-0.000 -0.001	1.615	+0.003 -0.000	1.385	+0.002 -0.000	0.218	0.281	6666343
1.375	-0.000 -0.001	1.740	+0.003 -0.000	1.510	+0.002 -0.000	0.218	0.281	6666344
1.500	-0.000 -0.001	1.865	+0.003 -0.000	1.635	+0.002 -0.000	0.218	0.281	6666345
1.625	-0.000 -0.001	1.990	+0.003 -0.000	1.760	+0.002 -0.000	0.218	0.281	6666346
1.750	-0.000 -0.001	2.115	+0.003 -0.000	1.885	+0.003 -0.000	0.218	0.281	6666347
1.875	-0.000 -0.001	2.240	+0.003 -0.000	2.010	+0.003 -0.000	0.218	0.281	6666348
2.000	-0.000 -0.001	2.365	+0.003 -0.000	2.135	+0.003 -0.000	0.218	0.281	6666349
2.125	-0.000 -0.001	2.490	+0.003 -0.000	2.260	+0.003 -0.000	0.218	0.281	6666350
2.250	-0.000 -0.001	2.745	+0.003 -0.000	2.385	+0.003 -0.000	0.281	0.360	6666351
2.500	-0.000 -0.001	2.995	+0.003 -0.000	2.635	+0.003 -0.000	0.281	0.360	6666352
2.750	-0.000 -0.000	3.245	+0.003 -0.000	2.885	+0.003 -0.000	0.281	0.360	6666353
3.000	+0.002 -0.000	3.495	+0.003 -0.000	3.135	+0.003 -0.000	0.281	0.360	6666354
3.250	+0.002 -0.000	3.745	+0.003 -0.000	3.385	+0.003 -0.000	0.281	0.360	6666355
3.500	+0.002 -0.000	3.995	+0.003 -0.000	3.635	+0.003 -0.000	0.281	0.360	6666356
3.750	+0.000 -0.002	4.245	+0.003 -0.000	3.885	+0.003 -0.000	0.281	0.360	6666357



$\varnothing d_1$	TOL	$\varnothing D_1$	TOL	$\varnothing D_2$	TOL	L_1 +0.005 - 0	L_2	PART No.
4.000	+0.000 -0.002	4.495	+0.003 -0.000	4.135	+0.003 -0.000	0.281	0.360	6666358
4.500	+0.000 -0.002	4.995	+0.003 -0.000	4.635	+0.003 -0.000	0.281	0.375	6666690
5.000	+0.000 -0.002	5.495	+0.003 -0.000	5.135	+0.003 -0.000	0.281	0.375	6666691
5.500	+0.000 -0.002	5.995	+0.003 -0.000	5.635	+0.003 -0.000	0.281	0.375	6666692
7.000	+0.000 -0.002	7.495	+0.003 -0.000	7.135	+0.003 -0.000	0.281	0.375	6666693

**Seal & Design
Able Division**
5533 Steeles Avenue West Unit 11
Toronto, Ontario M9L 1S7
Ph: (416) 741-0750
Gasket@AbleSealAndDesign.com

**Seal & Design
Corporate Headquarters**
4015 Casilio Parkway
Clarence, NY 14031
Ph: (716) 759-2222
Info@SealAndDesign.com
www.SealAndDesign.com

**Seal & Design
Higbee Division**
6741 Thompson Rd N
Syracuse, NY 13221
Ph: (315) 432-8021
Sales@Higbee-Inc.com