



**Design**

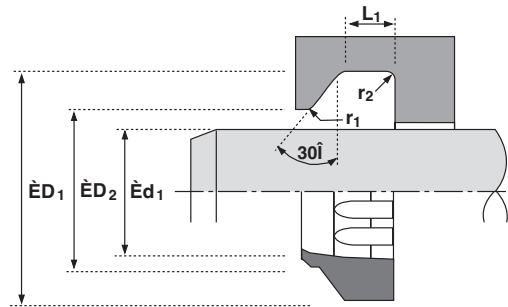
The Hallite 841 is a medium duty wiper and incorporates a knife trimmed wiping lip to prevent contaminants like dust, dirt and moisture from entering the gland.

Manufactured in Hallite’s high performance polyurethane – Hythane® 181 – this wiper provides superior performance to traditional products like Hallite 41, W, K, NK and RWK wipers.

The main body features internal ribs designed to keep the wiper stable, ensuring lip contact with the rod at all times, and to allow fluid by-pass if the rod seal weeps.

**Features**

- Precision trimmed wiping lip
- Excellent resistance to abrasion
- Extremely flexible
- Easy installation
- Interchangeable with other common styles



**Technical details**

**Operating conditions**

Maximum Speed  
Maximum Temperature

**Metric**

4.0 m/sec  
-45°C +110°C

**Inch**

12.0 ft/sec  
-50°F +230°F

**Surface roughness**

Dynamic Sealing Face  $\varnothing d_1$   
Static Sealing Face  $\varnothing D_1$   
Static Housing Faces  $L_1$

	$\mu\text{mRa}$	$\mu\text{mRt}$	$\mu\text{inCLA}$	$\mu\text{inRMS}$
Dynamic Sealing Face $\varnothing d_1$	0.1 < > 0.4	4 max	4 < > 16	5 < > 18
Static Sealing Face $\varnothing D_1$	1.6 max	10 max	63 max	70 max
Static Housing Faces $L_1$	3.2 max	16 max	125 max	140 max

**Chamfers & Radii**

Max Fillet Rad  $r_1$  in  
Max Fillet Rad  $r_2$  in

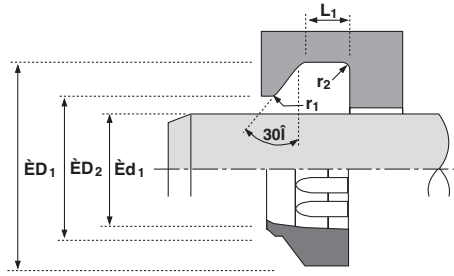
Max Fillet Rad $r_1$ in	0.010
Max Fillet Rad $r_2$ in	0.020

**Tolerances**

in

$\varnothing d_1$	$\varnothing D_1$	$\varnothing D_2$	$L_1$
f9	+0.005 -0	+0.010 -0	+0.005 +0





Ød <sub>1</sub>	TOL f <sub>9</sub>	ØD <sub>1</sub>	TOL	ØD <sub>2</sub>	TOL	L <sub>1</sub> +0.005 -0	L <sub>2</sub>	PART No.
1.125	-0.0008 -0.0028	1.500	+0.005 -0.000	1.233	+0.010 -0.000	0.188	0.345	4404600
1.250	-0.0010 -0.0034	1.625	+0.005 -0.000	1.358	+0.010 -0.000	0.188	0.345	4431300
1.375	-0.0010 -0.0034	1.750	+0.005 -0.000	1.483	+0.010 -0.000	0.188	0.345	4553100
1.500	-0.0010 -0.0034	1.760	+0.005 -0.000	1.608	+0.010 -0.000	0.188	0.345	4574100
1.500	-0.0010 -0.0034	1.875	+0.005 -0.000	1.608	+0.010 -0.000	0.188	0.345	4399100
1.750	-0.0010 -0.0034	2.125	+0.005 -0.000	1.858	+0.010 -0.000	0.188	0.345	4399200
2.000	-0.0012 -0.0041	2.375	+0.005 -0.000	2.108	+0.010 -0.000	0.188	0.345	4431400

**Seal & Design  
Able Division**

5533 Steeles Avenue West Unit 11  
Toronto, Ontario M9L 1S7  
Ph: (416) 741-0750  
Gasket@AbleSealAndDesign.com

**Seal & Design  
Corporate Headquarters**

4015 Casilio Parkway  
Clarence, NY 14031  
Ph: (716) 759-2222  
Info@SealAndDesign.com  
[www.SealAndDesign.com](http://www.SealAndDesign.com)

**Seal & Design  
Higbee Division**

6741 Thompson Rd N  
Syracuse, NY 13221  
Ph: (315) 432-8021  
Sales@Higbee-Inc.com